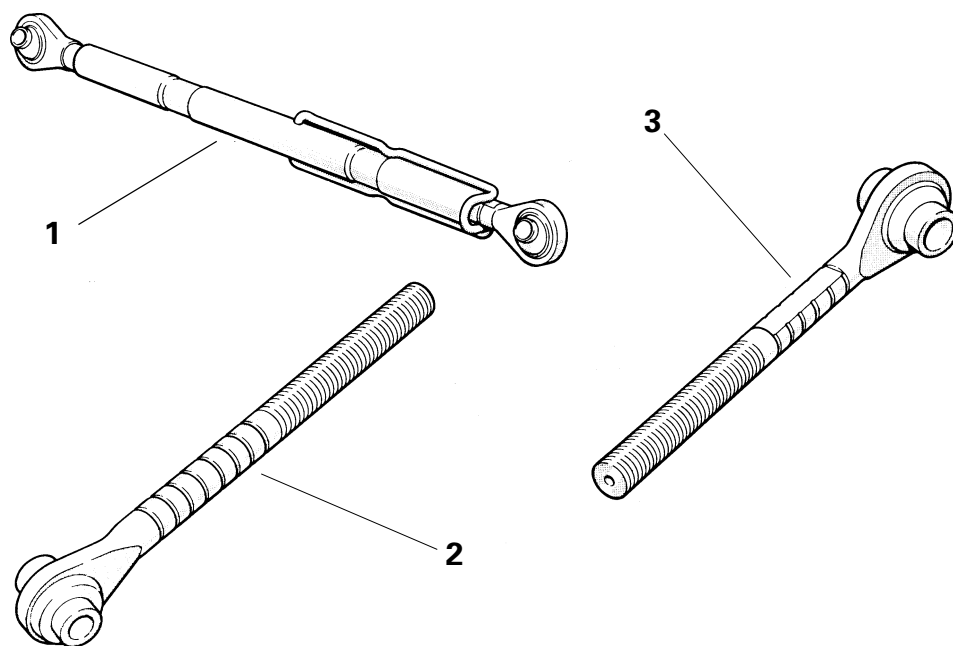


# HITCH PARTS / ATTELAGE / BAUTEILE DER DREIPUNKTKUPPLUNG / PIEZAS DE ENGANCHE / TRÆKTØJSDELE



i

1

2

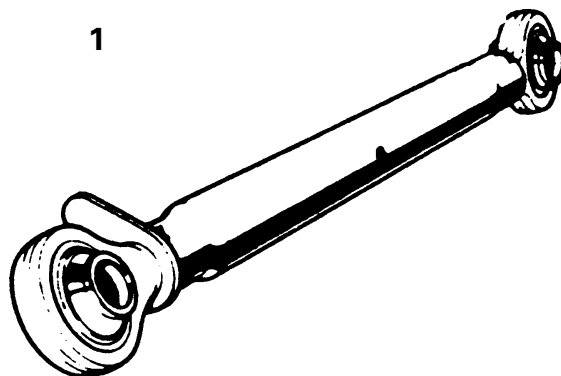
3

MF135, 230, 235, 240, 245, MF250 (E), 550	/   610 - 762mm	1869954M91	184079M91	183619M92
MF148, 152, 158, 165, MF250, 255	/   610 - 762mm	894376M91	183623M93	183619M92
MF168, 175, 178, 185, 260, MF265, 275, 290, 340, 350, MF355, 360, 362, 365, 375, MF565, 575, 590, 600 Series	679 - 832mm	893439M91	183623M93	183615M93
MF188, 265, 275, 285, 290, MF298, 375, 390, 398, 399, MF575, 590, 595, 600 Series	HD 660 - 864mm	1660050M91	1660055M91	1660053M91
MF3000 Series	580 - 770mm	3615054M3	3382851M91	3382853M91
MF3000 Series	570 - 770mm	3615052M4	3600468M91	3900111M92
MF3100, 3600 Series	705 - 870mm	3619109M92	3616795M2	3041031M4
MF3100, 3600 Series	655 - 820mm	3619106M91	3616795M2	-
MF4215, 4220, 4225, 4235		3808294M91	3809038M91	3809039M91
MF4245, 4255		3808658M91	3809038M91	3809039M91
MF4260, 4270	895mm	3808659M91	3809038M91	3809039M91
MF4260, 4270	847mm	3808658M91	3809038M91	3809039M91
MF6110, 6120, 6130, 6140, MF6150, 6160, 6170		3615054M3	3600468M91	3900109M91
MF6180		3619106M91	3900890M1	3900893M91
MF6190		3619109M91	3900890M1	3900892M91
MF8110, 8120, 8130, 8140, MF8150, 8160		3619106M91	3800890M1	3900893M91
MF8110, 8120, 8130, 8140, MF8150, 8160		3619107M91	3800890M1	3900895M91
MF8110, 8120, 8130, 8140, MF8150, 8160		3619109M91	3800890M1	3902541M1
MF8170		3716607M1	3902852M1	3902908M91



?

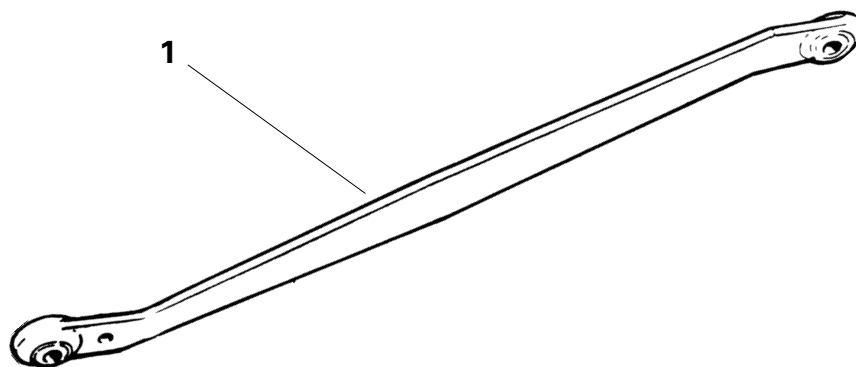
# HITCH PARTS / ATTELAGE / BAUTEILE DER DREIPUNKTKUPPLUNG / PIEZAS DE ENGANCHE / TRÆKTØJSDELE

*i***1**

I	483 - 699mm	1894760M91
I	521 - 737mm	3405318M91
I	559 - 775mm	1894761M91
I/II	565 - 862mm	3405412M91
I/II	629 - 889mm	3405413M91
II	495 - 781mm	3405411M91
II	635 - 940mm	1894762M91
II HD	480 - 902mm	3405317M91



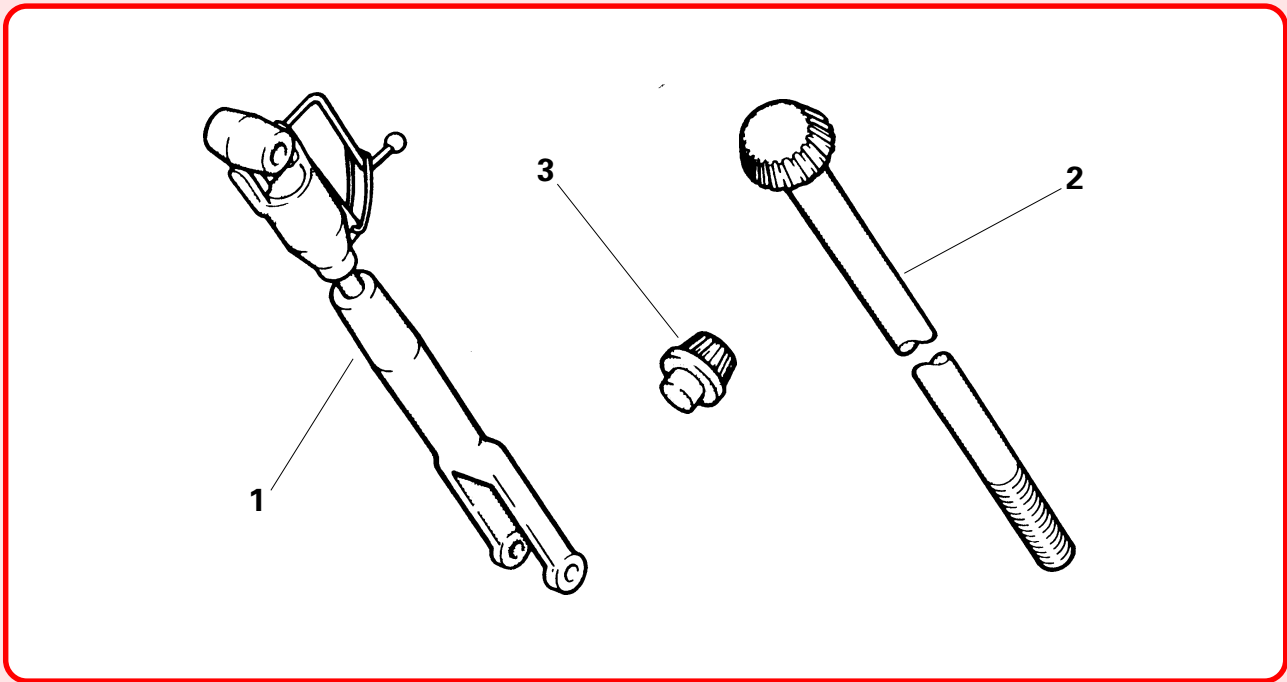
# HITCH PARTS / ATTELAGE / BAUTEILE DER DREIPUNKTKUPPLUNG / PIEZAS DE ENGANCHE / TRÆKTØJSDELE


*i*
**1**

MF165, 365, 375, 390, 390T, MF690 I→ 1984		184461M92> 184462M92<
MF135, 148		882698M92
MF165, 250, 253, 265, MF342, 350, 352, 355, 360, MF362, 565		886451M94
MF275, 290, 298, 350, 362N, MF365, 375, 382, 390, 390T, MF398, 399, 575, 590, MF600 Series		1660262M93> 1660263M93<
MF185, 265, 275, 390, MF565, 675		1863435M95
MF135, 148, 230, 240, MF340, 550		1869289M91
MF4215, 4220	1000mm	3808273M91> 3808272M91<
MF4225, 4235, 4245, 4255	II 1000mm	3808273M91> 3808272M91<
	I 1000mm	3809361M91> 3809360M91<
	1050mm	3808277M91> 3808276M91<
MF4260, 4270	1050mm	3808277M91> 3808276M91<
	1100mm	3808285M91> 3808284M91<
MF6110, 6120, 6130, 6140	940x80x25mm	3615089M1
	940x100x40mm	3712650M1
MF6150, 6160, 6170, 6180 MF8100 Series	940x100x40mm	3712650M1



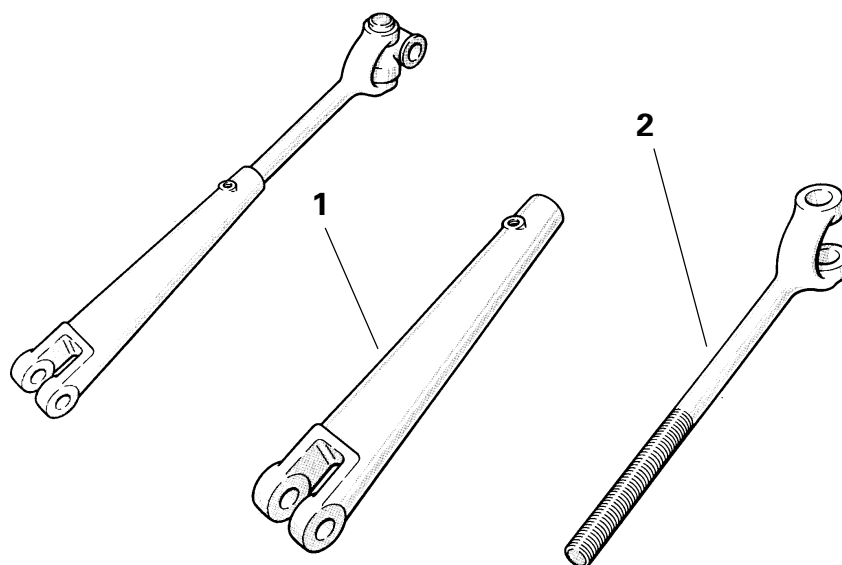
**HITCH PARTS / ATTELAGE / BAUTEILE DER DREIPUNKTKUPPLUNG /  
PIEZAS DE ENGANCHE / TRÆKTØJSDELE**



MF135, 165, 230, 235, 240, MF245, 250 (F), 550	1660373M92	1660375M1	181345M2
MF152, 155, 165, 178 (F), MF240, 250, 255, 340	906309M94	907980M1	181345M2
MF265, 275, 285, 290, 298, MF575, 590	1660438M92	1863885M1	181345M2



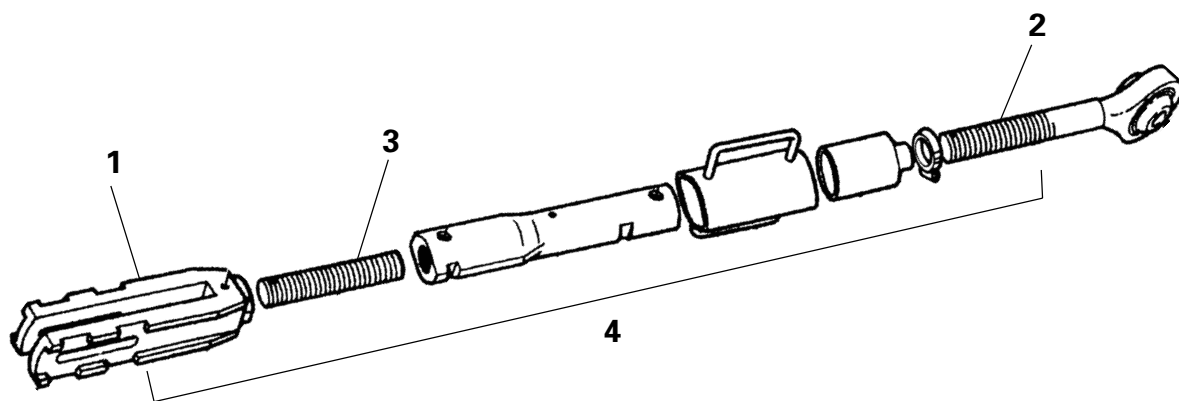
# HITCH PARTS / ATTELAGE / BAUTEILE DER DREIPUNKTKUPPLUNG / PIEZAS DE ENGANCHE / TRÆKTØJSDELE

*i***1****2**

MF135, 165, 230, 235, 240, MF245, 250, 340, 550	→ 439191	897659M1	826410M92
MF135, 165, 230, 235, 240, MF245, 250, 340, 550	↳ 439191	897659M1	1660372M91
MF265, 275, 290, 298, 350, MF362N, 372N, 375, 382N, MF390, 390T, 398, 399, 575, MF590, 600 Series		1861392M3	1863888M91
[MF3050, 3060, 3065, 3070, MF3080, 3090, 3095]→ S060023, MF3115, 3125		3384035M3	3382728M92 (545 mm)
			3583429M2 (524 mm)



# HITCH PARTS / ATTELAGE / BAUTEILE DER DREIPUNKTKUPPLUNG / PIEZAS DE ENGANCHE / TRÆKTØJSDELE

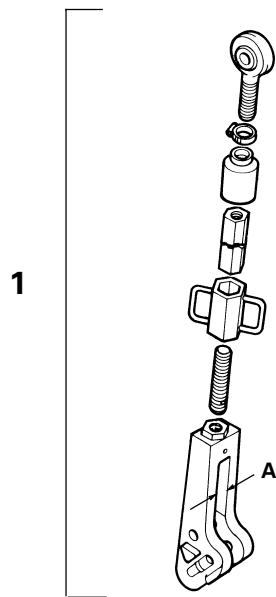
*i***1****2****3****4**

MF3000, 3100 Series		3616224M2	3583934M2	3582541M2	3616223M92
MF4215, 4220		3808963M93	3808974M92	-	3808292M91
MF4225, 4235, 4245, 4255, MF4260, 4270		3808963M93	3808973M92	-	3808293M91
MF6110, 6120,	Type 1	3616224M2	3583934M2	3582541M2	3616223M92
MF6130, 6140					
MF6110, 6120,	Type 2	3900100M91	3600477M91	-	3615055M3
MF6130, 6140					
MF6150, 6160, 6170, MF6180, 6190		3616224M2	3583934M2	3582541M2	3616223M92



?

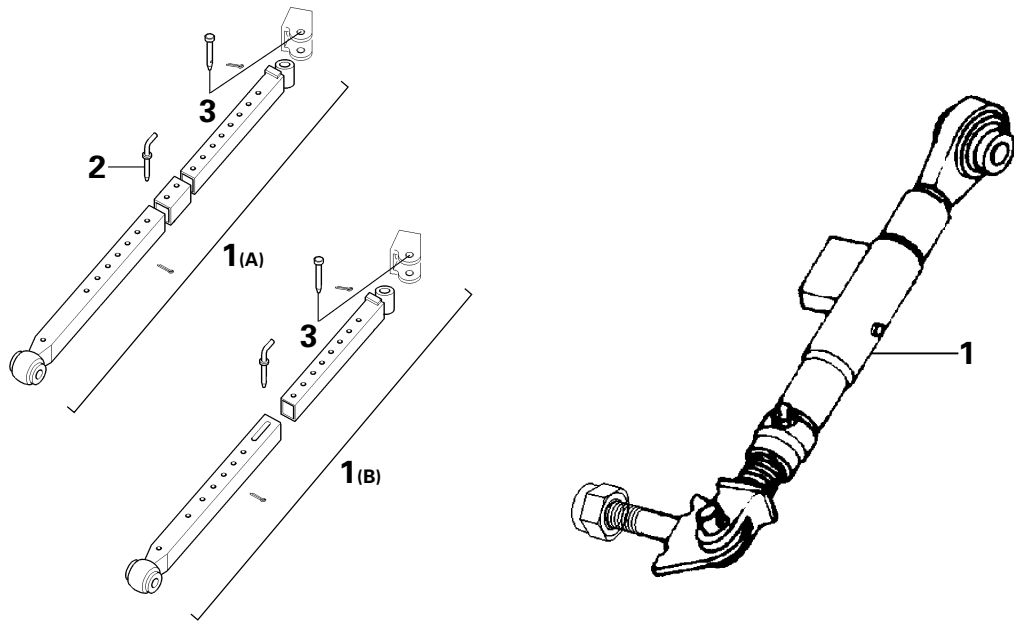
# HITCH PARTS / ATTELAGE / BAUTEILE DER DREIPUNKTKUPPLUNG / PIEZAS DE ENGANCHE / TRÆKTØJSDELE

*i***1**

MF8110, 8120, MF8130, 8140, 8150	A=53mm	3581996M93
MF8110, 8120, MF8130, 8140, 8150	A=37mm	3616478M91
MF8160	A=37mm	3616478M91
MF8170		3716615M2



# HITCH PARTS / ATTELAGE / BAUTEILE DER DREIPUNKTKUPPLUNG / PIEZAS DE ENGANCHE / TRÆKTØJSDELE

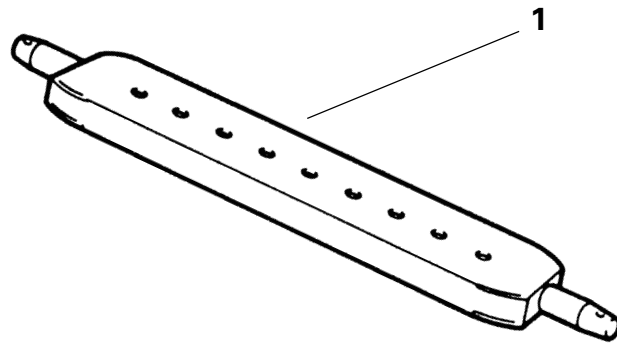
*i***1****2****3**

MF4215, 4220, MF4225, 4235, MF4245, 4255, 4260, 4270	A	3809337M91	3901544M91	3772617M1
MF4215, 4220, MF4225, 4235, MF4245, 4255, 4260, 4270	B	3811844M91	3901544M91	3772617M1
MF6110, 6120, 6130, 6140, MF6150, 6160, 6170, 6180, MF6190, 8110, 8120, 8140, MF8150, 8160		3615707M93	3019222X1 Ø16mm	3615647M1
MF8170		3716775M1	3019228X1 Ø20mm	3582043M1





# HITCH PARTS / ATTELAGE / BAUTEILE DER DREIPUNKTKUPPLUNG / PIEZAS DE ENGANCHE / TRÆKTØJSDELE



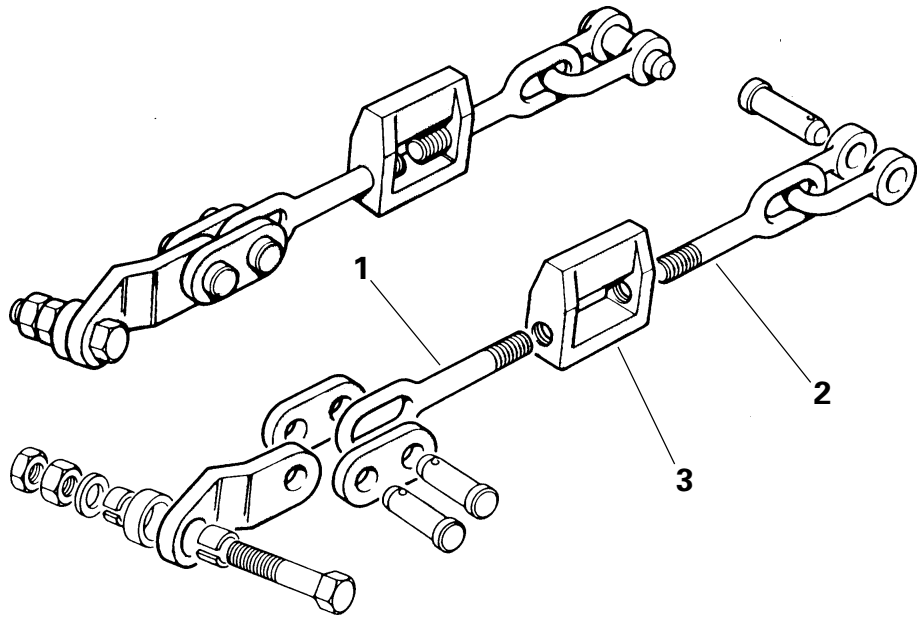
*i* 1

MF100 Series		180485M1
MF100, 200, 300, 500, MF600 Series, MF100, 200, 300 Series ①		3813740P1
MF3000, 3100, 3600 Series		3387153M1
MF4200 Series		3813740P1
MF6100 Series, MF8110, 8120, 8130, MF8140, 8150, 8160		3387153M1



?

# HITCH PARTS / ATTELAGE / BAUTEILE DER DREIPUNKTKUPPLUNG / PIEZAS DE ENGANCHE / TRÆKTØJSDELE

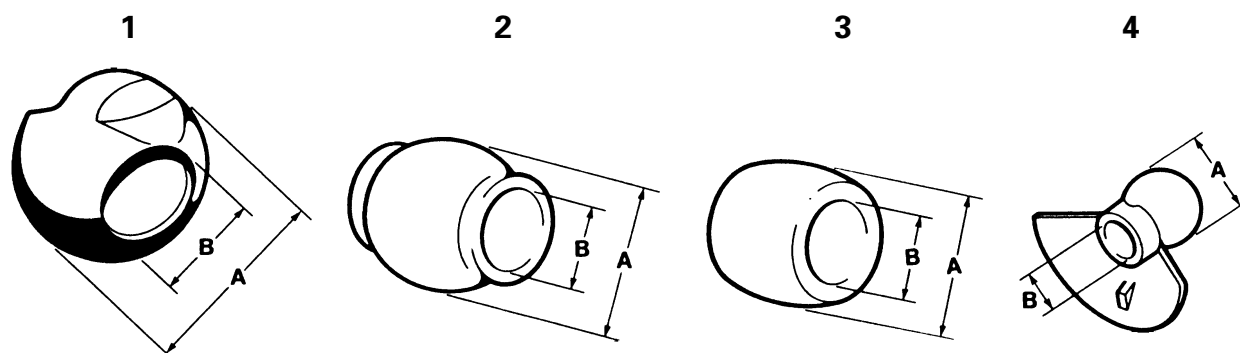


**1      2      3**

MF200, 300, 500, 600 Series    1661408M1    1661409M1    1661411M1



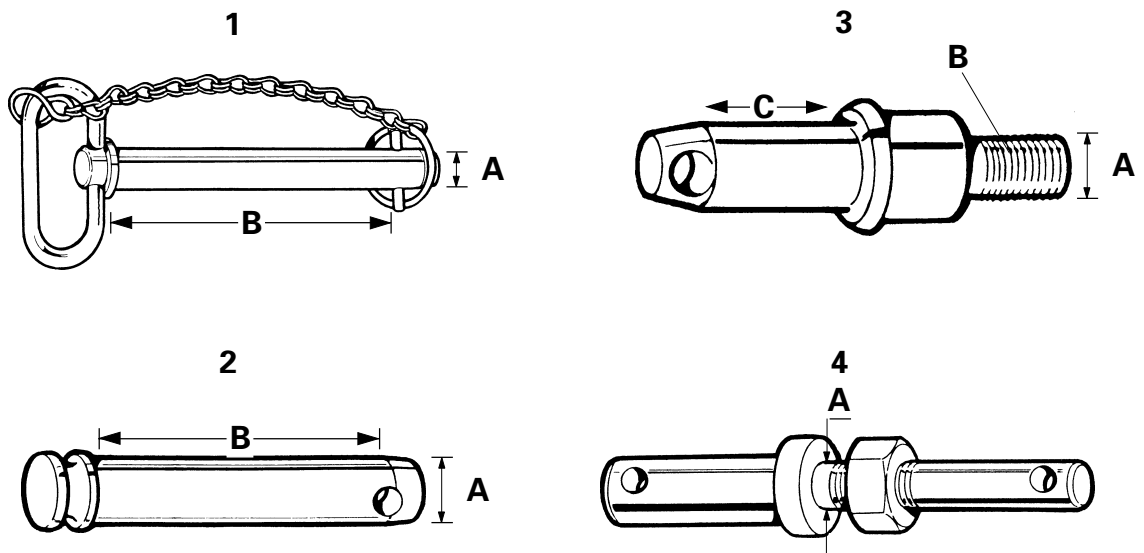
# HITCH PARTS / ATTELAGE / BAUTEILE DER DREIPUNKTKUPPLUNG / PIEZAS DE ENGANCHE / TRÆKTØJSDELE


*i*

		A	B	
<b>1</b>	I	57mm	23mm	886428M1
	II	57mm	29mm	886429M1
	I	58mm	22mm	3306954M1
	II	58mm	28.4mm	3306955M1
<b>2</b>	II	46mm	25.4mm	1680506M1
	II	50mm	25.4mm	3042432M1
	III / II	60mm	25.4mm	3042433M1
	III	60mm	32mm	3042434M1
<b>3</b>	II	57mm	29mm	486021M1
	II	56mm	28.4mm	3042429M1
	III / II	64mm	25.4mm	3042430M1
	III	64mm	37mm	3042431M1
<b>4</b>	II	56mm	28.4mm	3042426M1
	III / II	64mm	25.4mm	3042427M1
	III	64mm	37mm	3042428M1



# HITCH PARTS / ATTELAGE / BAUTEILE DER DREIPUNKTKUPPLUNG / PIEZAS DE ENGANCHE / TRÆKTØJSDELE


*i*
**1**

	A	B	C	
	16mm	152mm		3405316M91
	19mm	95mm		3405310M91
	19mm	152mm		3405311M91
	22mm	152mm		3405312M91
	25mm	152mm		3405313M91
	29mm	152mm		3405314M91
	32mm	152mm		3405315M91

**2**

	16mm	82mm		180860M1
I	19mm	86mm		3582662M1
I	19mm	95mm		195589M1
I	19mm	86mm		831513M1
I	19mm	143mm		645923M1
	22mm	86mm		1694025M1
II	25mm	112mm		3582043M1

**3**

I	22mm	5/8" x 18 UNC	44mm	195427M1
I	22mm	5/8" x 18 UNF	44mm	646038M1
I	29mm	3/4" x 16 UNC	46mm	319521M1
II	29mm	3/4" x 16 UNF	46mm	319522M1
II	29mm	1" x 12 UNC	44mm	1656696M1

**4**

I/II	30mm			1837217M2
------	------	--	--	-----------

