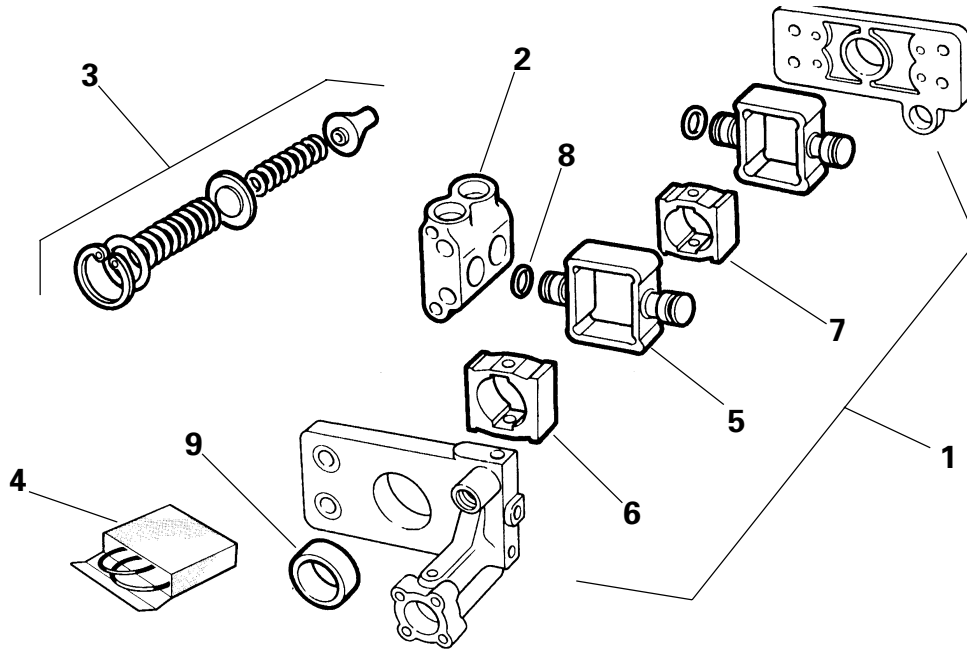


HYDRAULICS / HYDRAULIQUE / HYDRAULIK / EQUIPOS HIDRAULICOS / HYDRAULIK



i

1

2

3

4

5

6

7

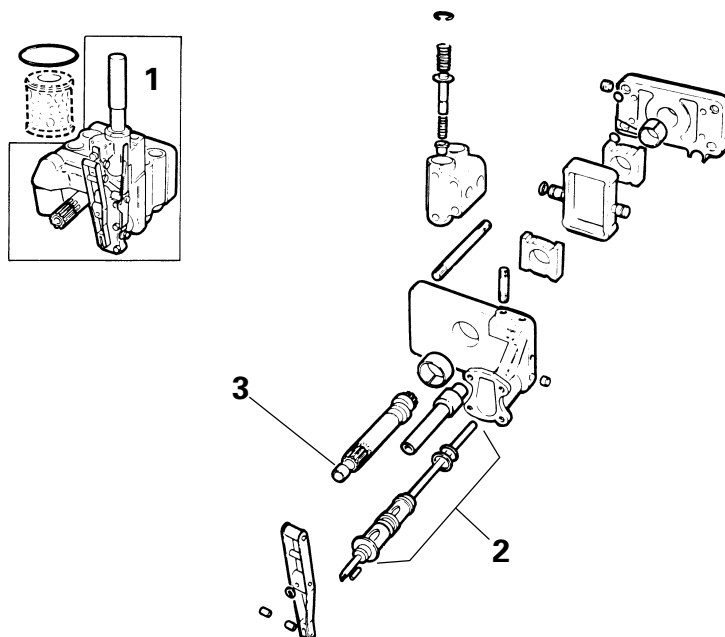
8

9

MF135, 148, 165, Mk I / Mk II	1810858M91	897491M1	1810678M91	1810684M92	1860038M1	180924M2	180925M2	897493M1	1865012M1
MF168, 175, 178, MF185, 188									
MF135, 148, 165, Mk II	1810859M91	888702M2	1810678M91	1810684M92	1860038M1	180924M2	180925M2	897493M1	1865012M1
MF168, 185, 188									
MF148, 165, 168, Mk III	1810860M93	1868435M3	1810678M91	1810680M93	1860038M1	180924M2	180925M2	897493M1	1865012M1
MF185, 188, MF200, 300, MF500, 600 Series									
MF4200 Series	1810860M93	1868435M3	1810678M91	-	1860038M1	180924M2	180925M2	897493M1	1664491M2



HYDRAULICS / HYDRAULIQUE / HYDRAULIK / EQUIPOS HIDRAULICOS / HYDRAULIK

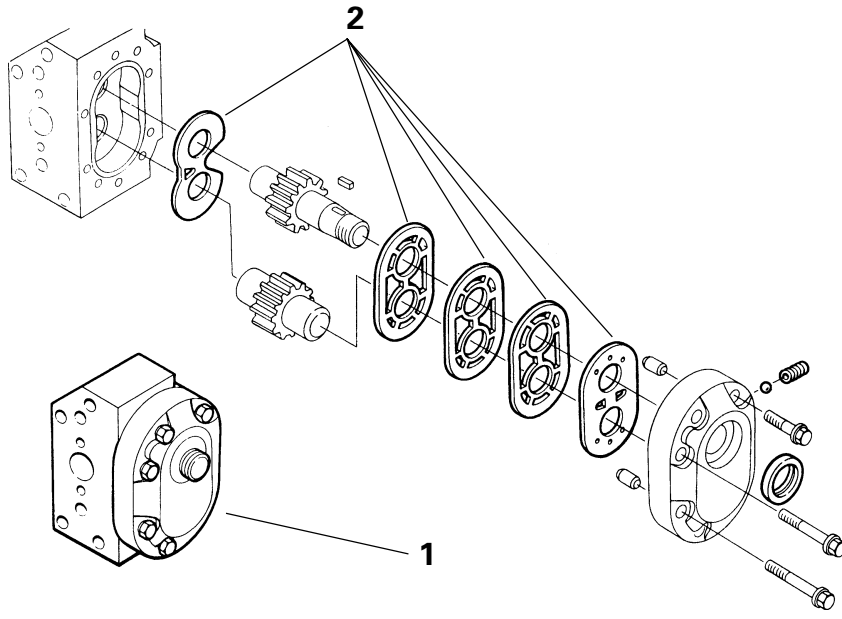
*i***1****2****3**

MF100 Series	MkII	-	1862486M96	-
MF100 Series	MkII	1684582M92	1684548M91	1000251M1
MF100 Series	MkII	1684583M92	1684548M91	1000251M1
MF100, 200, 500, 600 Series	MkIII	1683301M92	1681789M91	1000251M1
MF300 Series		3614362M93	3611085M91	1000251M1
MF100, 200, 300 Series		3539857M91	-	-
MF4200 Series		3800476M91	3611085M91	3613193M1



?

HYDRAULICS / HYDRAULIQUE / HYDRAULIK / EQUIPOS HIDRAULICOS / HYDRAULIK

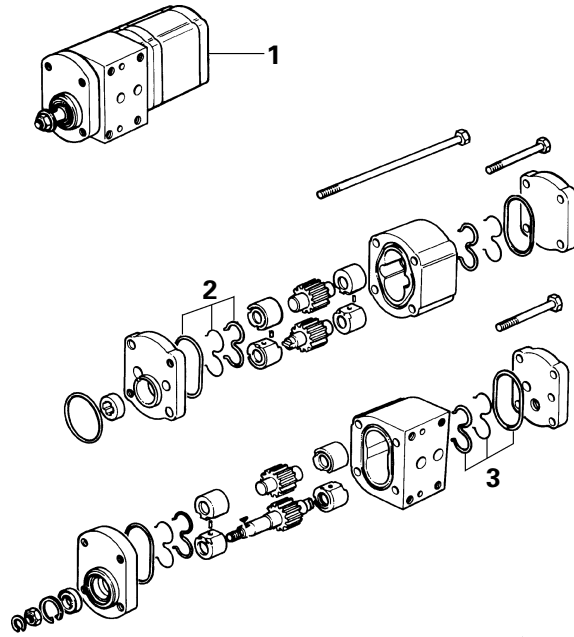


1 2

MF2000, 3600 Series	3790722M1	837298M91
MF8110, 8120, 8130,		
MF8140, 8150, 8160		
MF8170	3716370M2	3902614M91



HYDRAULICS / HYDRAULIQUE / HYDRAULIK / EQUIPOS HIDRAULICOS / HYDRAULIK



1

2

3

MF3000, 3100, 6100 Series

3382280M1

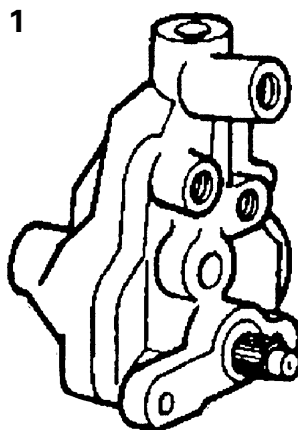
3100439M91

3104971M91



?

HYDRAULICS / HYDRAULIQUE / HYDRAULIK / EQUIPOS HIDRAULICOS / HYDRAULIK



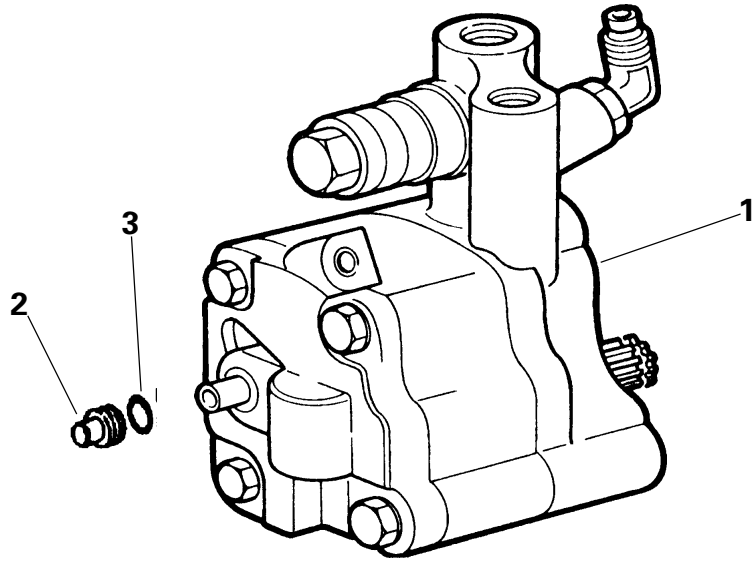
1

MF135, 152, 165, 200, 500, 600 Series MULTIPOWER

886821M94



HYDRAULICS / HYDRAULIQUE / HYDRAULIK / EQUIPOS HIDRAULICOS / HYDRAULIK

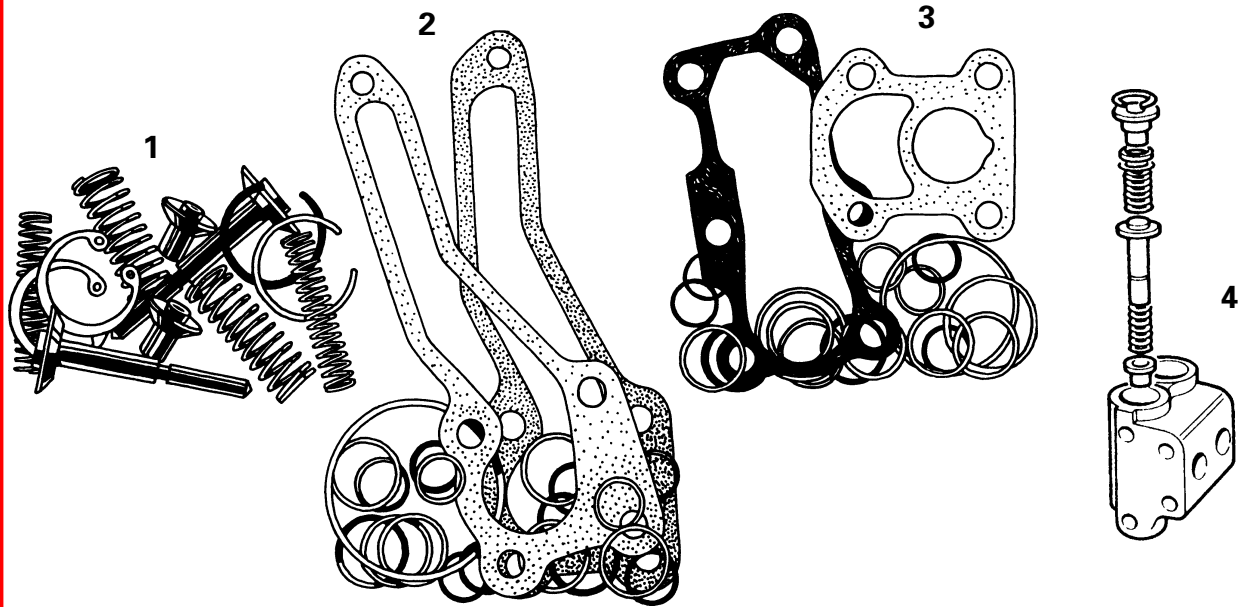


1 2 3

MF100, 200, 500, 600 Series 1686766M91 1664509M1 3000417X1



HYDRAULICS / HYDRAULIQUE / HYDRAULIK / EQUIPOS HIDRAULICOS / HYDRAULIK



1

i

2

i

3

i

4

i

1810678M91

1810684M92

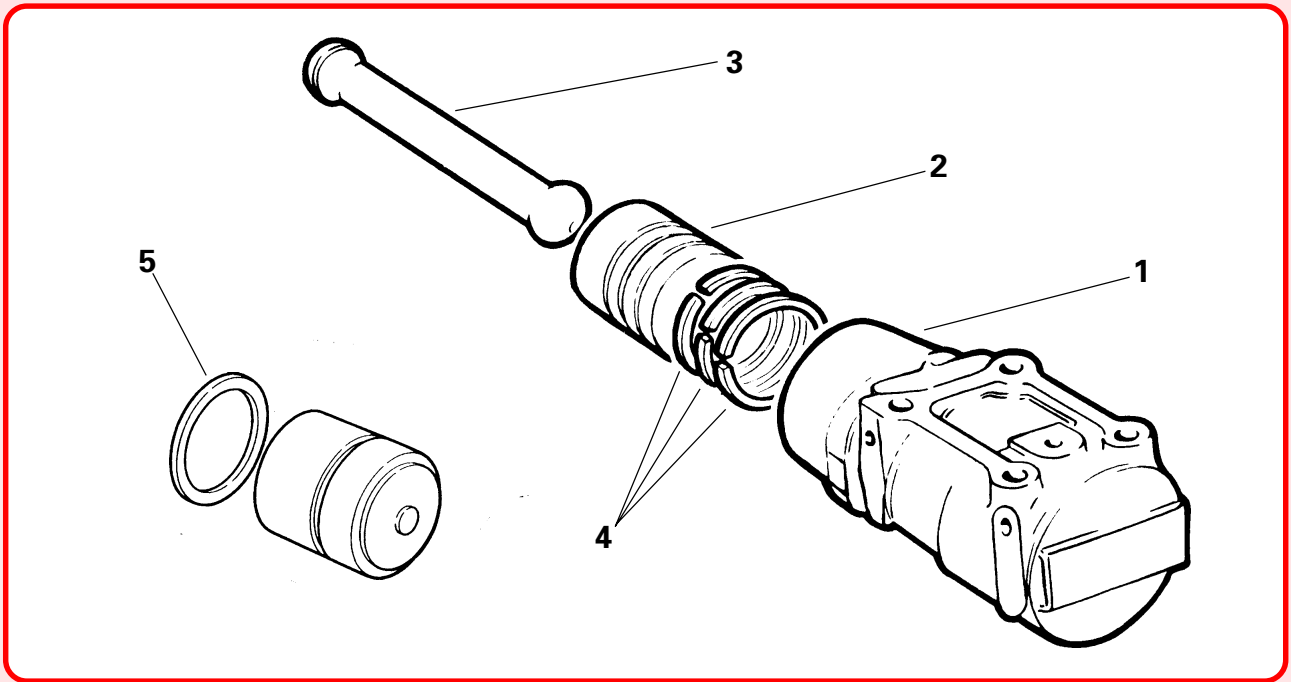
1810680M93

3699709M91

180927M2	2	189366M1	1	195876M1	1	180927M2	4
180928M1	2	195876M1	1	196174M1	1	180928M1	4
180930M2	2	359001X1	4	359002X1	1	180930M2	4
518359M1	2	359002X1	2	377494X1	4	1660116M1	4
827718M2	2	831452M1	2	377497X1	1	1868435M3	2
1660116M1	2	831519M1	10	377502X1	2	1868741M1	4
1868743M1	2	831528M1	4	377543X1	1	1868742M1	4
		831907M1	1	831528M1	4	1868743M1	4
		1868742M1	4	1007240M1	1	1870849M1	4
		1869608M1	1	1442621X1	1		
		1870849M1	4	1868456M1	1		
				1868742M1	4		
				1869529M2	1		
				1870849M1	4		



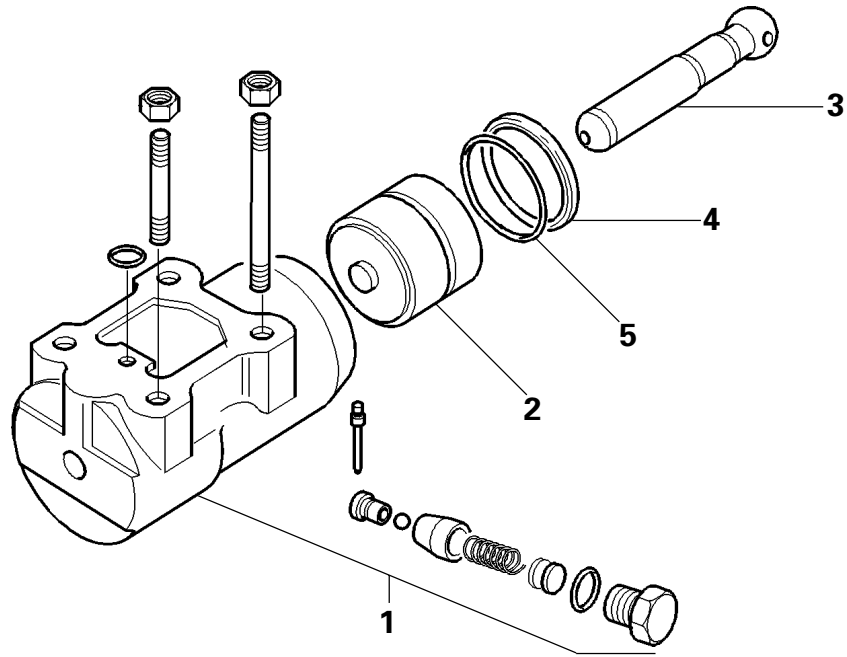
HYDRAULICS / HYDRAULIQUE / HYDRAULIK / EQUIPOS HIDRAULICOS / HYDRAULIK



MF135, 148, 165, 152, 230, MF240 → 522353 MF250, 200 Series (F), 550	897560M3	1665737M91	886410M1	897564M1	-
MF265 → 93552, 550, 560	1671082M1	1665738M91	886410M1	897564M1	-
MF275, 290, 500, 600 Series	1671082M1	1665738M91	886410M1	3761477M1	3761474M1
MF230, 240, 253, 340	3599900M1	3595804M92	3610356M2	3761478M1	3761475M1
MF300 Series	3599859M1	1693921M93	3610356M2	3761476M1	3761473M1



HYDRAULICS / HYDRAULIQUE / HYDRAULIK / EQUIPOS HIDRAULICOS / HYDRAULIK



i

1

2

3

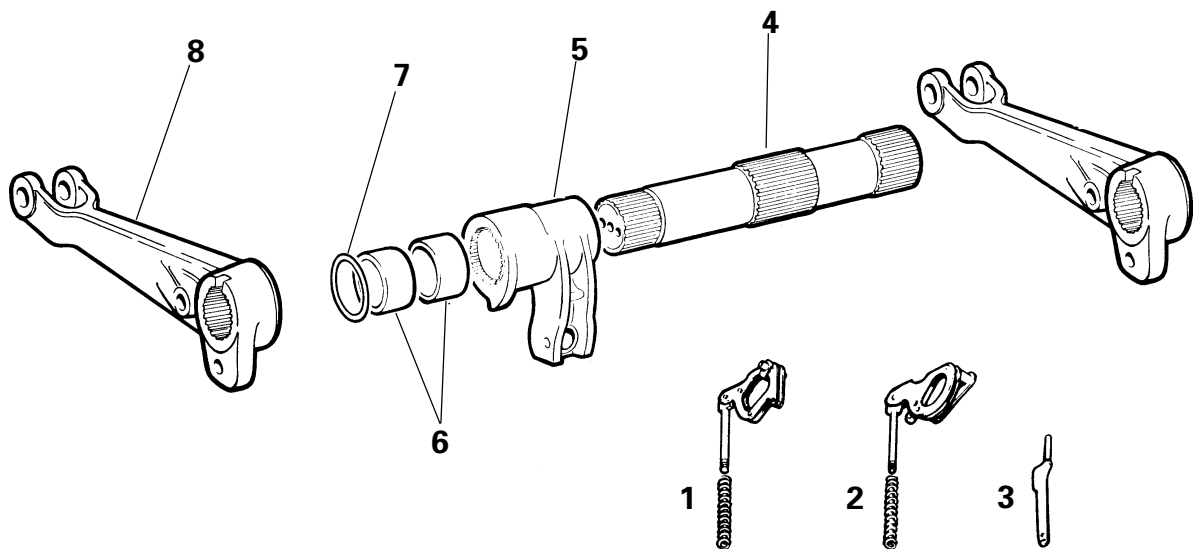
4

5

MF4215, 4220		3599859M1	3808136M1	3808161M1	3761476M1	3761473M1
MF4225, 4235	Hydraulic lift	3599859M1	3808136M1	3808161M1	3761476M1	3761473M1
MF4245, 4255	Electronic lift	3800263M91	3808136M1	3808161M1	3761476M1	3761473M1
MF4260, 4270	Electronic with creeper	3813957M91	3808136M1	3808161M1	3761476M1	3761473M1



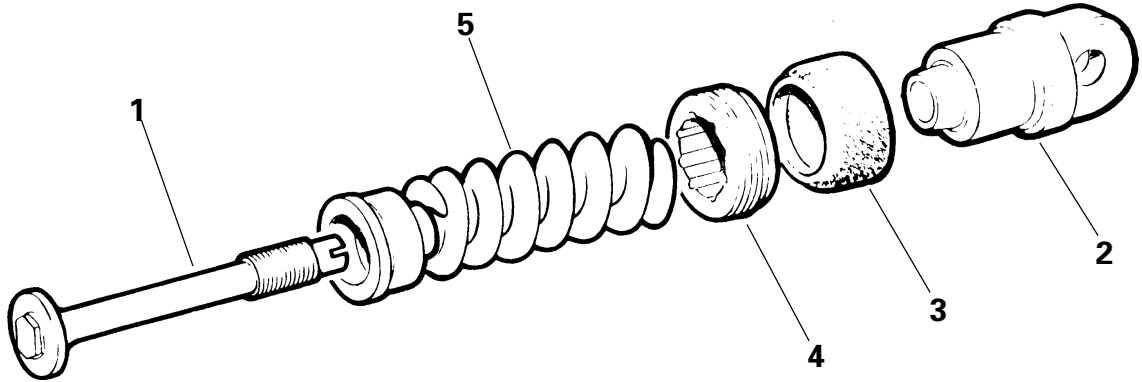
HYDRAULICS / HYDRAULIQUE / HYDRAULIK / EQUIPOS HIDRAULICOS / HYDRAULIK

**1****2****3****4****5****6****7****8**

MF135, 148, 165, MF230, 240, MF250, 550	1661918M91	1660324M91	898124M1	897567M3	886405M1	1870934M1	359136X1	885444M91
MF100, 200, 500, MF600 Series	1661918M91	1660324M91	898124M1	897567M3	886404M2	1870934M1	359136X1	-
MF300 Series → P51120	1661918M91	1660324M91	898124M1	897567M3	3610357M2	1870934M1	359136X1	885444M91
MF300 Series → P51121	1661918M91	1660324M91	898124M1	897567M3	3610357M2	3611558M1	3000789X1	885444M91
MF4215, 4220	1661918M91	1660324M91	898124M1	3810970M1	3801057M1	3801052M1	-	3809687M92>
MF4225, 4235								3809688M92<
MF4245, 4255								
MF4260, 4270	1690886M91	1690884M91	516574M1	3810970M1	3801057M1	3801052M1	-	3809687M92> 3809688M92<



HYDRAULICS / HYDRAULIQUE / HYDRAULIK / EQUIPOS HIDRAULICOS / HYDRAULIK



1

2

3

4

5

MF100, 200, 300, 500, 600 Series

886348M2

1863389M1

887654M2

180979M2

182582M1

1661755M2 (HD)

MF4215, 4220

886348M2

3811264M1

3811265M1

3811263M1

182582M1

MF4225, 4235, 4245, 4255,

886348M2

3811264M1

3811265M1

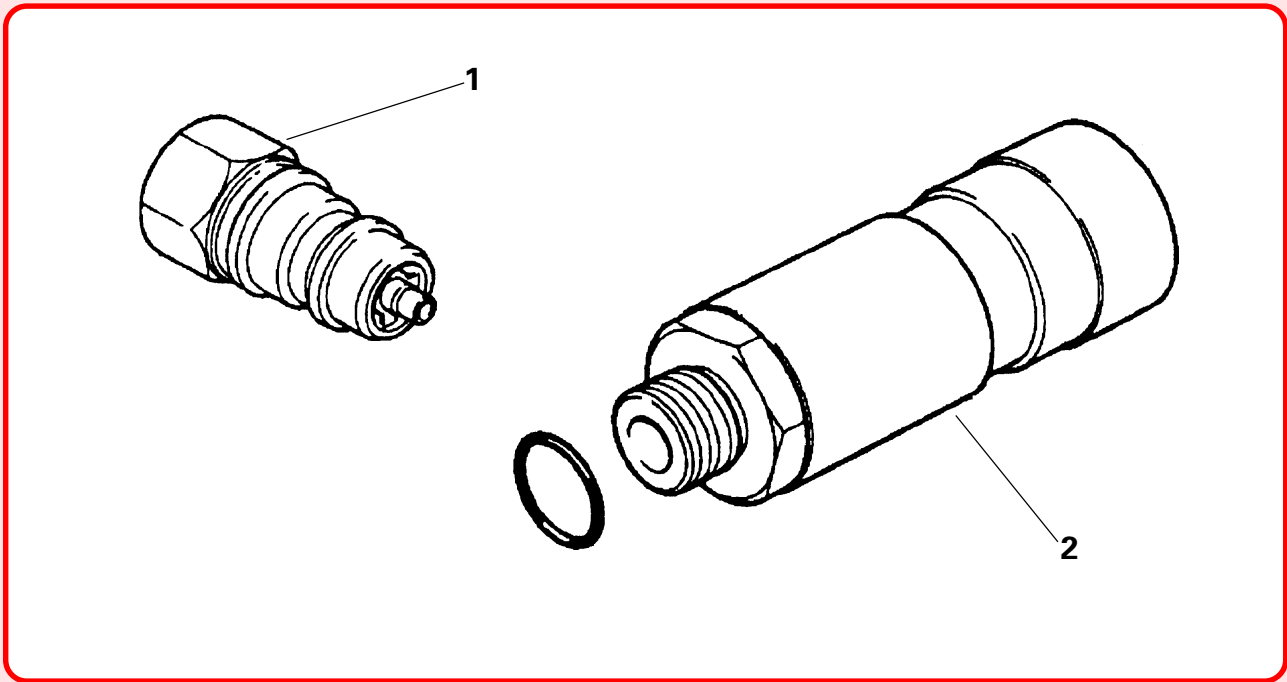
3811263M1

1661755M2

MF4260, 4270



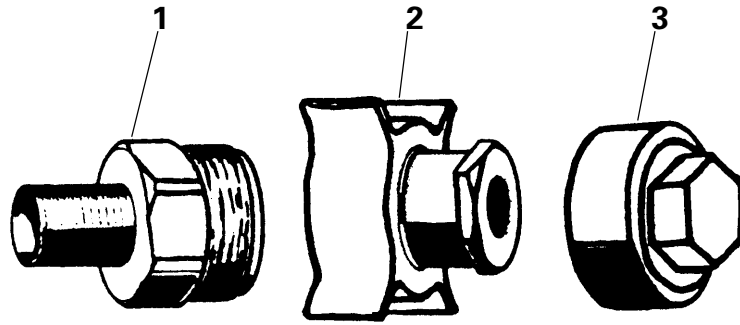
HYDRAULICS / HYDRAULIQUE / HYDRAULIK / EQUIPOS HIDRAULICOS / HYDRAULIK



BSP 1/2"	3406706M1	3406707M1			
BSP 3/8"	3406708M1	3406709M1			
	Probe				
1/2"	1684473M1	1026699M92	1680263M1	3772942M1	589248M1
	1/2"	3/4" - 16 Female	3/4" - 16 JIC Female	M22 - 1.5 Male	3/4" - 16 Female
	1026700M91				



HYDRAULICS / HYDRAULIQUE / HYDRAULIK / EQUIPOS HIDRAULICOS / HYDRAULIK



1

2

3

'Dowty'	646670M91	646663M91	646669M1
'Exactor'	1884291M91	1884290M91	817630M1
	909024M1	958826M1	3616259M1

